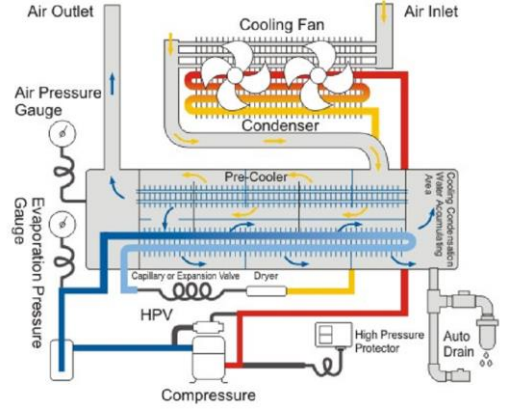


HA Series Refrigeration Compressed Air Dryer



Technical Design

- New type of HA series refrigerated compressed air dryer accept 80°C air temperature input. The big strong cooling fan unit for fin type pre-cooler and heat exchanger could reduce the inlet air temperature from 80°C to room temperature than into the heat exchanger to do heat exchange operating. It could get the pressure dew point 2°C at the best condition.
- With high quality refrigeration compressor, performance can be maintained
- Nanometer anticorrosive coating on the surface of air condenser makes surface dust cleaning easier and extends its service life.

➤ All series dryers have passed latest CE safety certification with multiple overload protection devices configured.

GERMAN CERT
 Quality Management System Certificate

(주)부마씨이
 경상남도 김해시 주촌면 서부로1637번길 291

제원서부 추심회사는 위 회사의 심사규격과 인증범위가 아래의 품질경영시스템 요구사항을 모두 충족하고 있음을 검증하고 인증 등록을 승인하였습니다.

심사규격
ISO 9001:2008

인증범위
 기초모퉁기, 지질장비, 환경장비(원심분리기, 판로커터), 에어컴프레셔의 설계, 개발, 제조 및 부가서비스

인증번호 : KorQ-095362
 인증서 유효기간 : 2012년 05월 11일 - 2015년 05월 10일
 최초 인증일 : 2009년 05월 12일
 인증 갱신일 : 2012년 05월 11일
 연장 인증일 : 2015년 05월 10일

Y. C. Lee
 Scheme Manager

IAF DAKKS
 The German Body for
 Accreditation

GERMAN CERT
 QUALITY MANAGEMENT SYSTEM
 ISO 9001
 REGISTERED

100, Jungseon Bldg., Yeosu-daehang, Yeosu-si, Jeonnam-do, Korea 570-710, Korea
 This certificate is a part property of GERMAN CERT and therefore shall be returned to upon its request. (001-6)

HA Series Refrigeration Compressed Air Dryer

Technical Specifications

Model	Flow Rate		Inlet Air Tem.. °C	Ambient temp °C	Pressure Dew Point °C	Working Pressure Kg/cm ²	Refrigerant	Comp. Motor Hp	Power Supply V	Air Conn. In	Dimensions (mm)			Next Weight Kg
	m ³ /min	SCFM									Height	Width	Depth	
HAD-05HA	0.6	21	MAX. 80°C	38°C	2-10°C (7Kg/cm ²)	7 Kg/cm ² Max. 13 Kg/cm ²	R134a	220V/1PH/ 50HZ	1/2"	460	470	500	27	
HAD-10HA	1.3	46								3/4"	600	350	640	45
HAD-15HA	1.8	64									650	350	770	50
HAD-20HA	2.8	99								1"	760	400	820	70
HAD-30HA	4.2	148								1-1/2"	750	400	920	95
HAD-50HA	7	247					2"	770	400	940	130			
HAD-75HA	10.6	375					R22	380V/3PHA /50HZ	2-1/2"	1200	700	1170	210	
HAD-100HA	15.5	512								3"	1200	700	1270	270
HAD-150HA	21	742								3"F	1400	700	1470	400
HAD-200HA	26	918								4"F	1500	700	1665	460
HAD-250HA	31	1095								4"F	1500	700	1665	480
HAD-300HA	38	1342								4"F	1600	1700	900	570
HAD-400HA	49	1730								5"F	1600	2400	950	890

➤ **Selection guide**

Dryers are rated at 80°C(HA,WW)/45°C(W) saturated and 7kgf/cm² inlet condition, 38°C ambient and an outlet pressure dew point of 2°C. To adjust dryer capacity for other conditions, use Table 1, 2, 3 and 4

➤ **Example :**

What is the capacity of a model 100 HA when the compressed air at the inlet to the dryer is at 10kgf/cm² and 40°C, the ambient temperature is 30°C and a 5°C dew point is desired?

➤ **Answer :**

1.45Nm³/Min x1.19(Tablet 4) x1.05(Table 1) x1.01(Table 3) x0.9(Tablet 2)=16.47 Nm³/min

Table1 :

Correction Factors (Multipliers) for Inler Air Temperature

Inlet Air Tem	40	45	50	55	60	65	70	75	80
Multiplier(HA)	1.05	1.04	1.03	1.02	1.01	1.00	0.83	0.68	0.60

Table2 :

Correction Factors (Multipliers) for Dew Point Temperature

Dew point Tem	2	5	8	10
Multiplier	0.8	0.9	0.95	1

Table3 :

Correction Factors (Multipliers) for Ambient Temperature

Inlet Pressure	10	15	20	25	30	35	40	50	55
Multiplier	1.05	1.04	1.03	1.02	1.01	1.00	0.96	0.84	0.58

Table4 :

Correction Factors (Multipliers) for Inlet Air Pressure

Inlet Pressure	2	3	4	5	6	7	8	9	10
Multiplier	0.42	0.61	0.73	0.82	0.93	1.00	1.08	1.15	1.19