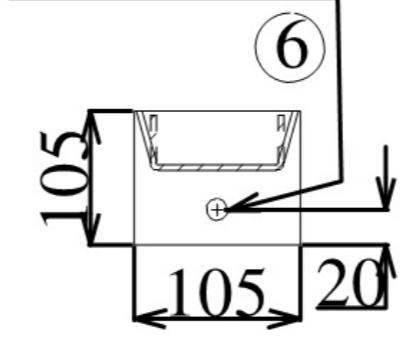


3-φ16 HOLES
FORM14
ANCHORBN



SPECIFICATION

1. Capacity: 300 litres
2. Design pressure : 10 kg/cm²
3. Working pressure : 8 kg/cm²
4. Hydro test pressure : 15 kg/cm²
5. Viet Nam standard code: TCVN 8366:2010

BASE & PILLAR

Capacity		WEIGHT & CAPACITY (Estimated)		
MARK NO	NO. REQ'	SIZE	DESIGNATION	REMARKS
M1	1	150x190	MANHOLE	
N5	1	15A	DRAIN	
N4	1	15A	SAFETY VALVE	
N3	1	10A	PRESSURE GAUGE	
N2	1	25A	AIR OUTLET	
N1	1	25A	AIR INLET	

MARK	DESCRIPTION	DIMENSION	MATERIAL	QUANTITY	REMARKS
8	Buffer	t5	Synthetic Rubber	1	
7	Gusset Plate	t5	CT3	1	
6	Anchor Bolt Nut	M14	SS400	3SETS	
5	Lifting Lug	t8	CT3	2	
4	Base Plate	t5	SS400	3	
3	Chassis	U100x50	CT3	3	
2	Head	t4,3	SS400	2	2:1 ELLIP
1	Shell	t4,3	SS400	1	

FUNCTION	NAME	SIGN	INVESTOR
DESIGNER	Nguyen Thanh Tuan		TITLE: AIRRECEIVERTANK300lits
DRAWER	Nguyen Thanh Tuan		DESCRIPTION: ASSEMBLY & DETAIL DWG.
CHECK	Do Quoc Dung		DRAWING NO.
DATE	09/2013	SCALE: 1:16	REVISION