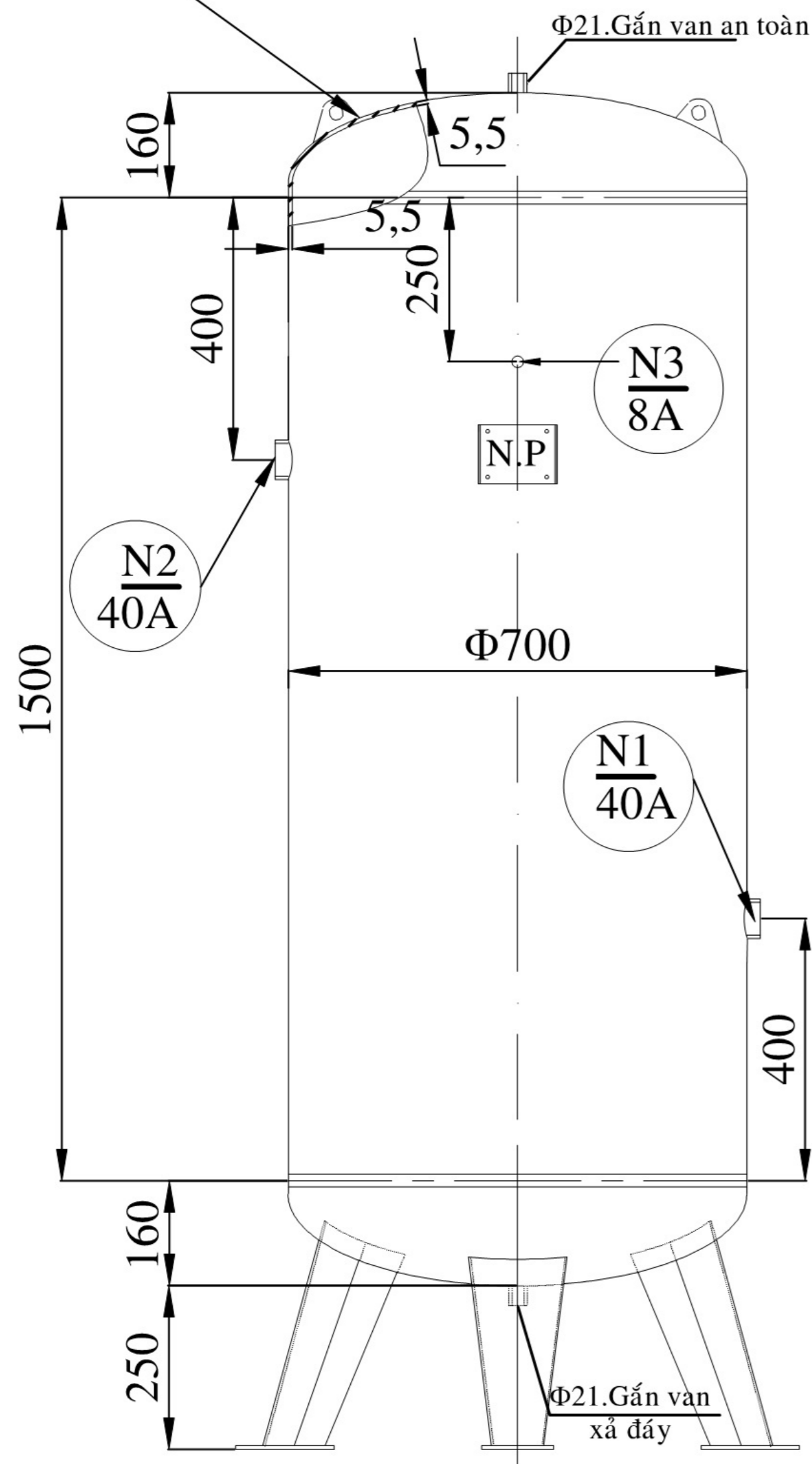
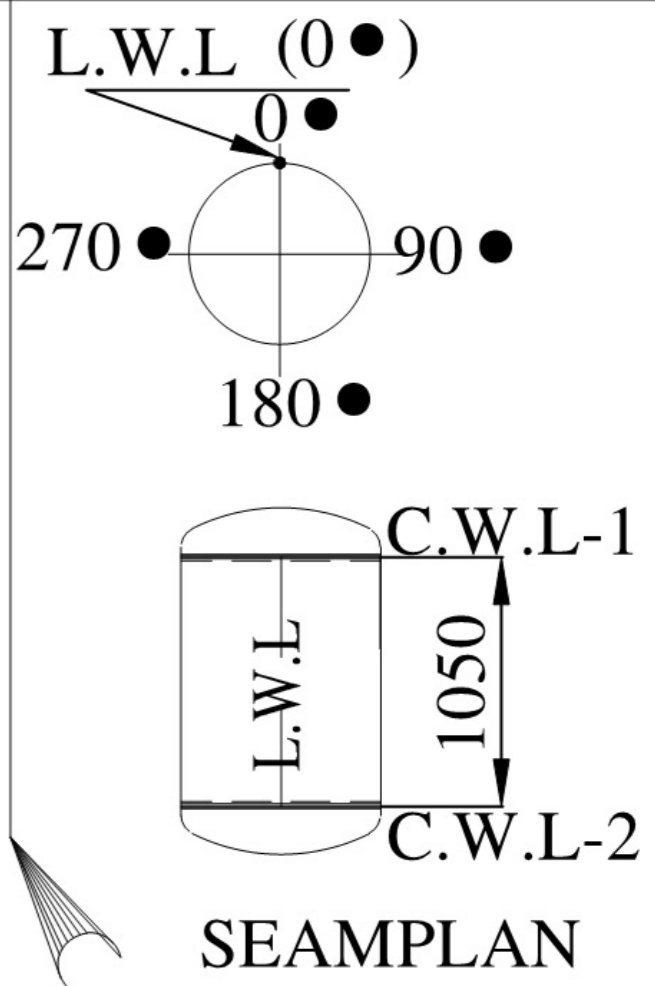
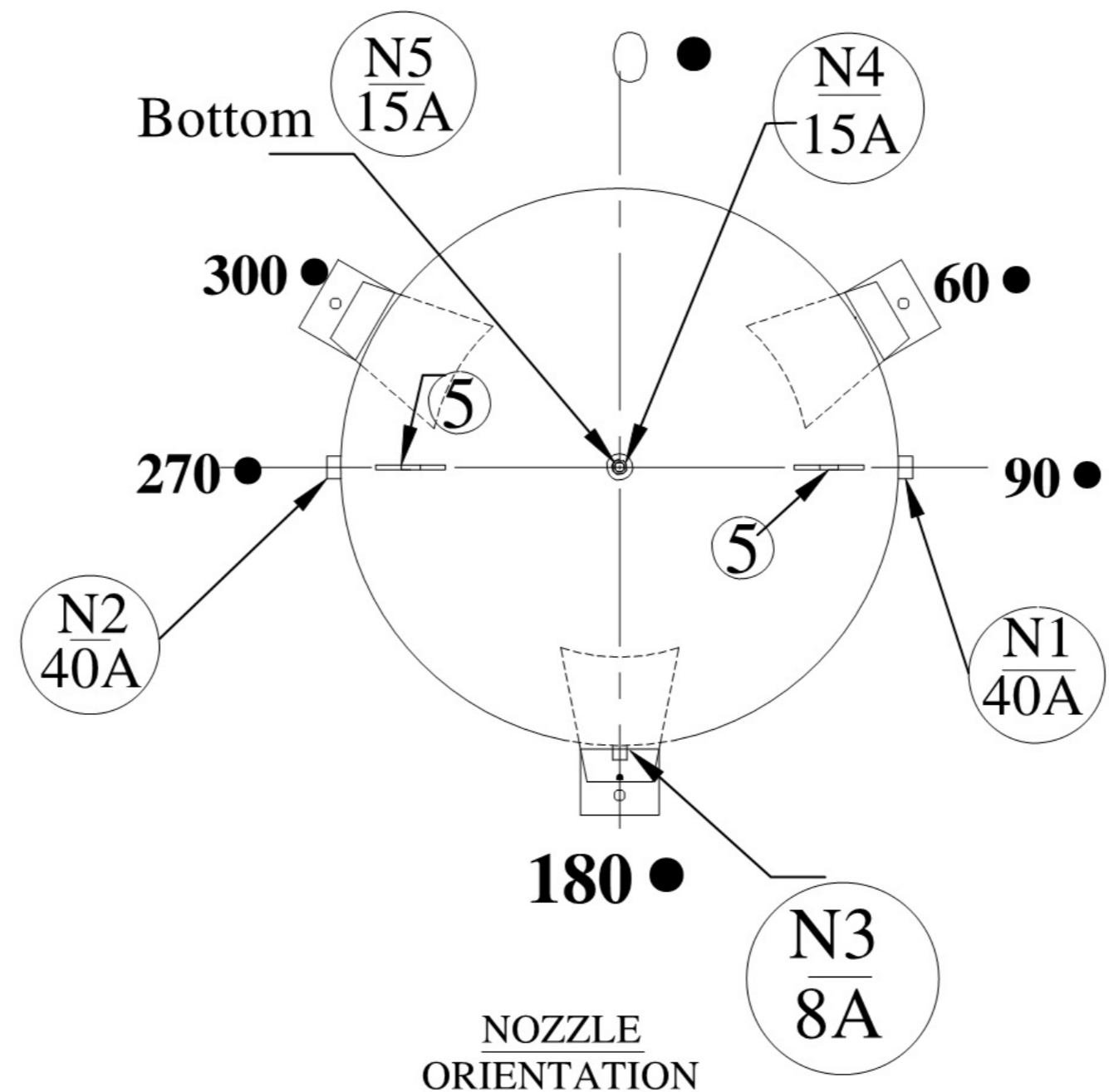


2:1ELIP.HEAD(t5,5)
Afterformingmin.TH'K:5.3

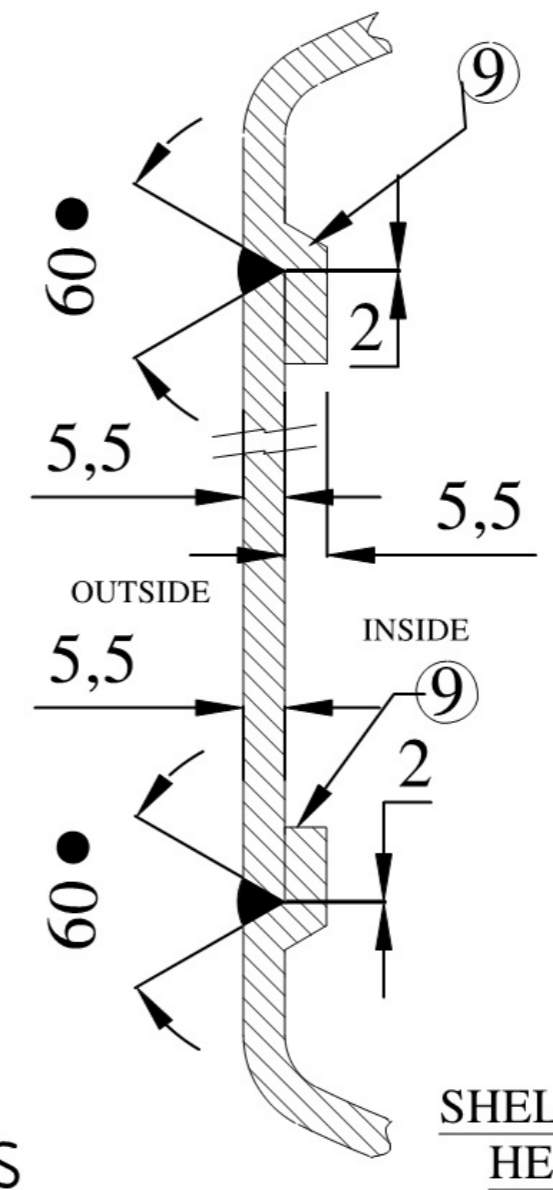


SPECIFICATION

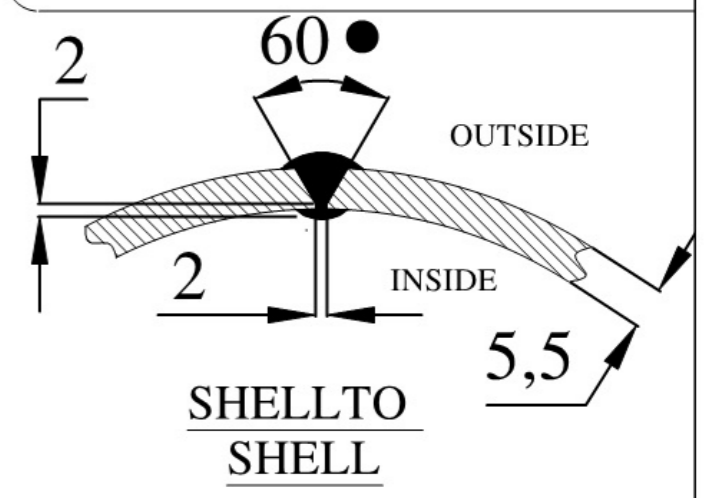
1. Capacity: 700 litres
2. Design pressure : 10 kg/cm²
3. Working pressure : 8 kg/cm²
4. Hydro test pressure : 15 kg/cm²
5. Viet Nam standard code: TCVN 8366:2010



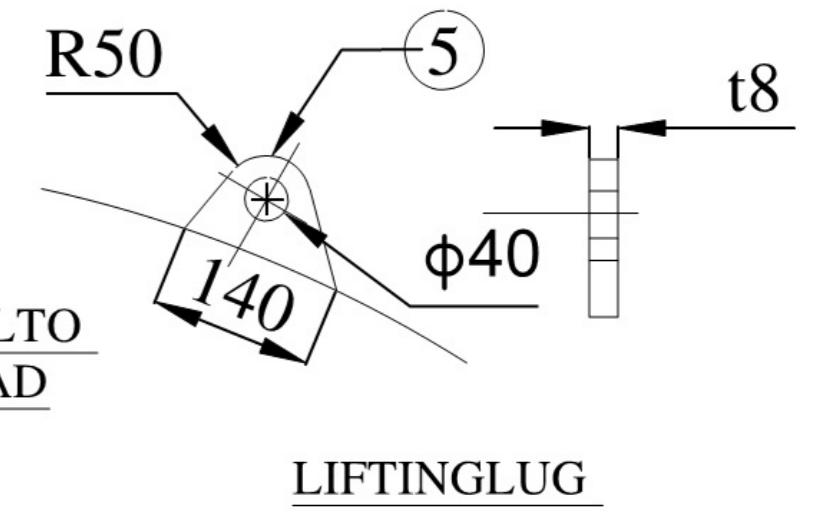
SEAM PLAN



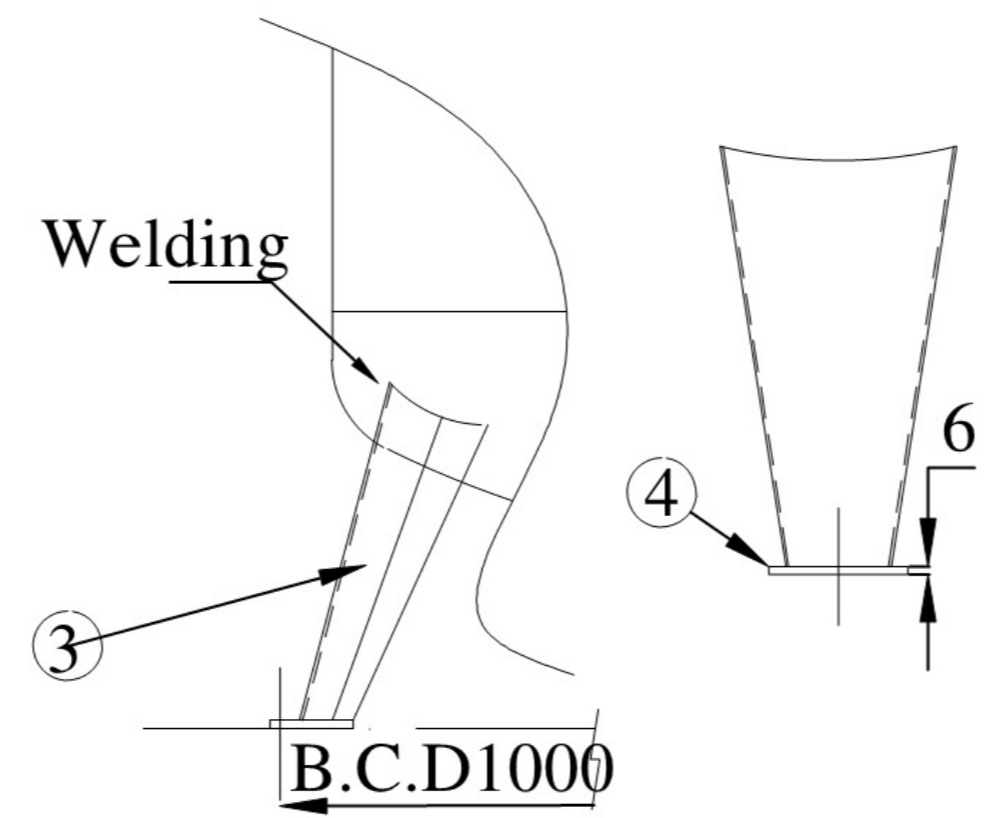
SHELL TO HEAD



SHELL TO SHELL

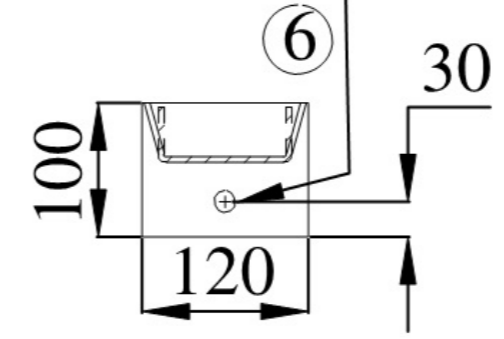


LIFTING LUG



BASE & PILLAR

3-φ16 HOLES
FORM 14
ANCHOR BN



Capacity				
WEIGHT & CAPACITY (Estimated)				
MARK	NO.	REQ.	SIZE	DESIGNATION
N5	1		15A	DRAIN
N4	1		15A	SAFETY VALVE
N3	1		8A	PRESSURE GAUGE
N2	1		40A	AIR OUTLET
N1	1		40A	AIR INLET
MARK NO	NO. REQ'	SIZE	DESIGNATION	REMARKS

MARK	DESCRIPTION	DIMENSION	MATERIAL	QUANTITY	REMARKS
8	Buffer	t5	Synthetic Rubber	1	
7	Gusset Plate	t5	CT3	1	
6	Anchor Bolt Nut	M14	SS400	3 SETS	
5	Lifting Lug	t8	CT3	2	
4	Base Plate	t6	SS400	3	
3	Chassis	U100x50	CT3	3	
2	Head	t5,5	SS400	2	2:1 ELLIP
1	Shell	t5,5	SS400	1	

FUNCTION	NAME	SIGN	INVESTOR
DESIGNER	Nguyen Thanh Tuan		TITLE: AIR RECEIVER TANK 700LITRS
DRAWER	Nguyen Thanh Tuan		DESCRIPTION: ASSEMBLY & DETAIL DWG.
CHECK	Do Quoc Dung		DRAWING NO.
DATE	09/2013	SCALE: 1:16	REVISION